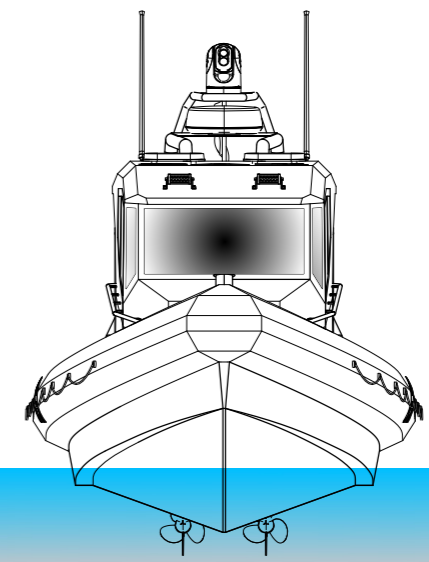
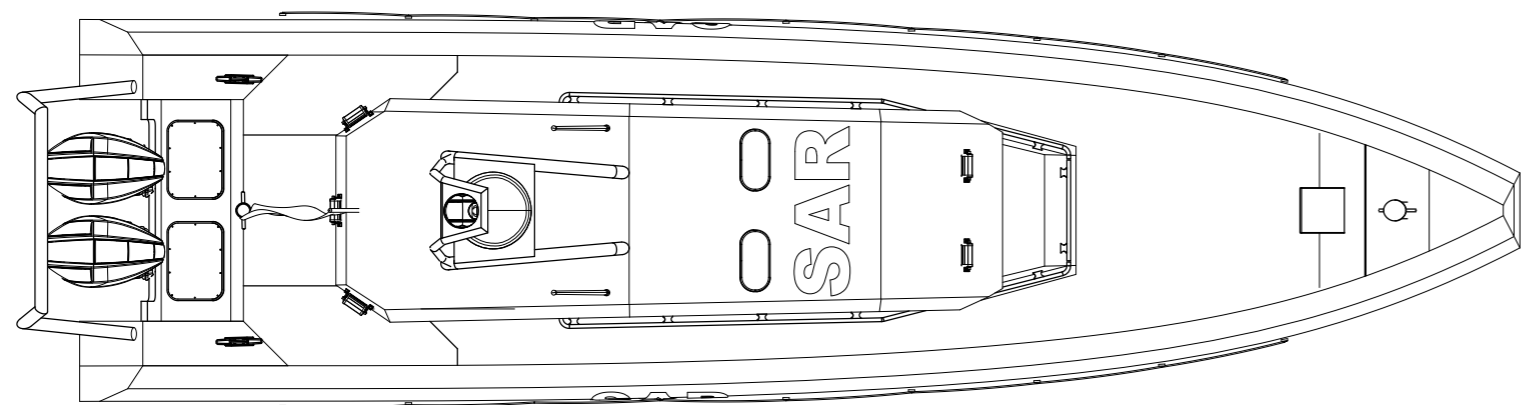
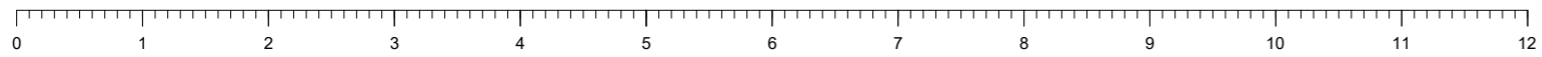


PROFILE

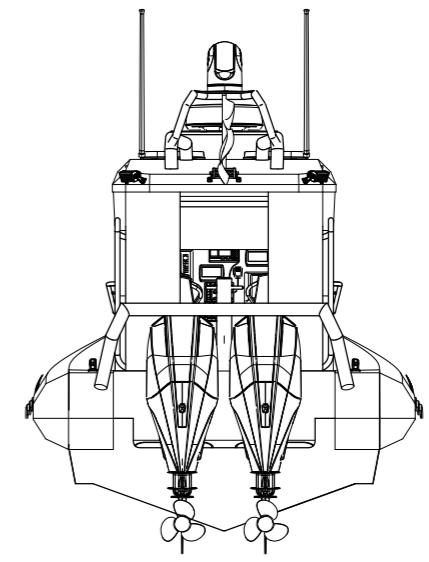


FRONT

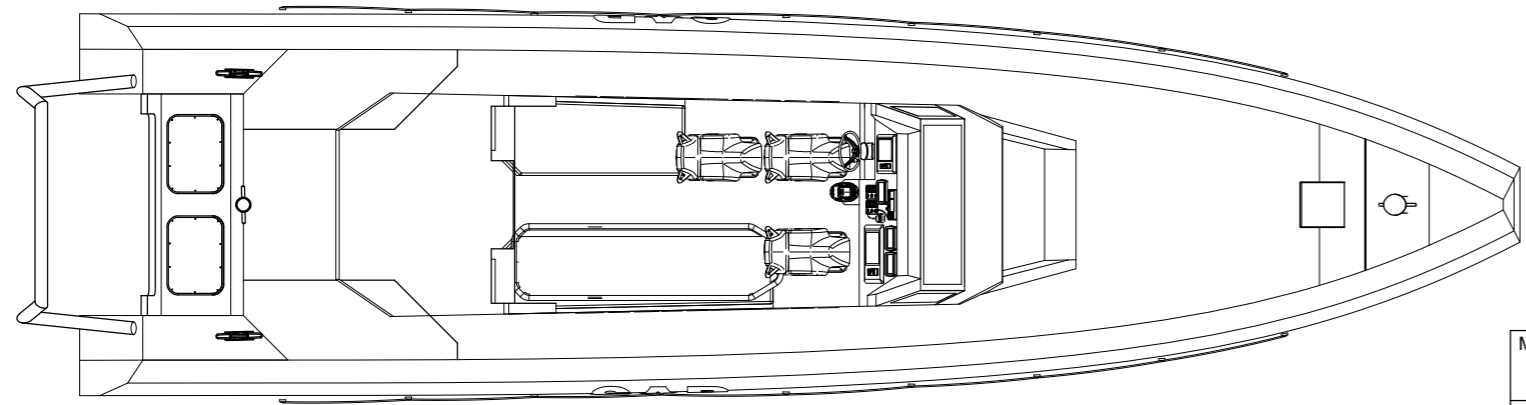
DWL



TOP VIEW



BACK



LAYOUT

Material	HDPE
Length of Hull	11.470 m
Beam Max	3.070 m
Design Draft	(To be Calculated)
Payload	(To be Calculated)
Engine	(To be Calculated)
Speed	(To be Calculated)
Fuel Tank	-

Material: HDPE	Legal Owner:	DESCRIPTION : General Arrangement		
Finish:	BK YACHT DESIGN	Drawn by: Bala	Drawn Date: 21/03/2024	
Unless Otherwise Stated: Linear Tol.: ±0.2, Angular Tol.: 0°15' Surface Finish: 0.8µm All Dimensions: mm	Project Name: Veega 12m	Checked/Approved by:	Checked/Approved Date:	
Drawing Scale: 1:60	Drawing Name: General Arrangement	Drawing Number: BK-VM01-001	Sheet: 1 of 1	Revision: 0
Approx Weight: Kg	Sheet Size: A3	<small>THE COPYRIGHT AND SUBJECT MATTER OF THIS DRAWING IS THE SOLE PROPERTY OF BK YACHT DESIGN. REPRODUCTION IN ANY FORM, EITHER FULL OR PART IS PROHIBITED WITHOUT EXPRESS WRITTEN CONSENT. BUILDER TO CHECK DIMENSIONS AND CONTENT ON DRAWING AND ADVISE DESIGNER OF ANY DISCREPANCIES BEFORE COMMENCEMENT OF CONSTRUCTION</small>		
Projection Method: THIRD ANGLE				

F
E
D
C
B
A

F
E
D
C
B
A

8 7 6 5 4 3 2 1

8 7 6 5 4 3 2 1